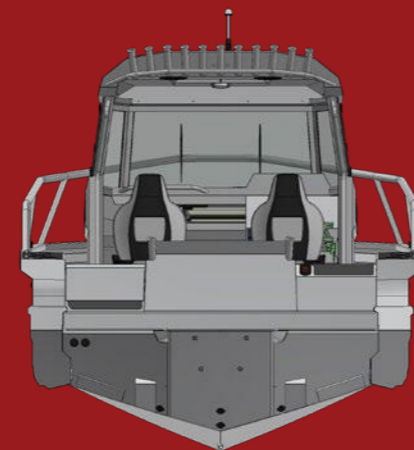
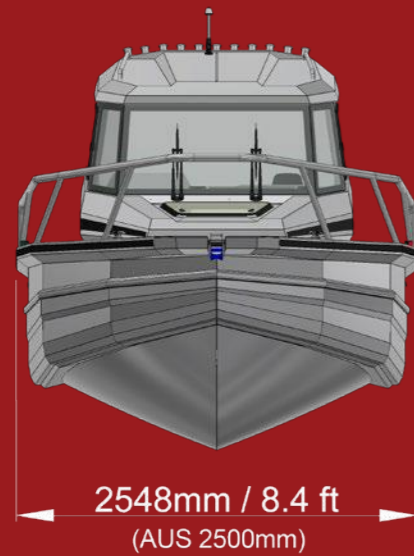
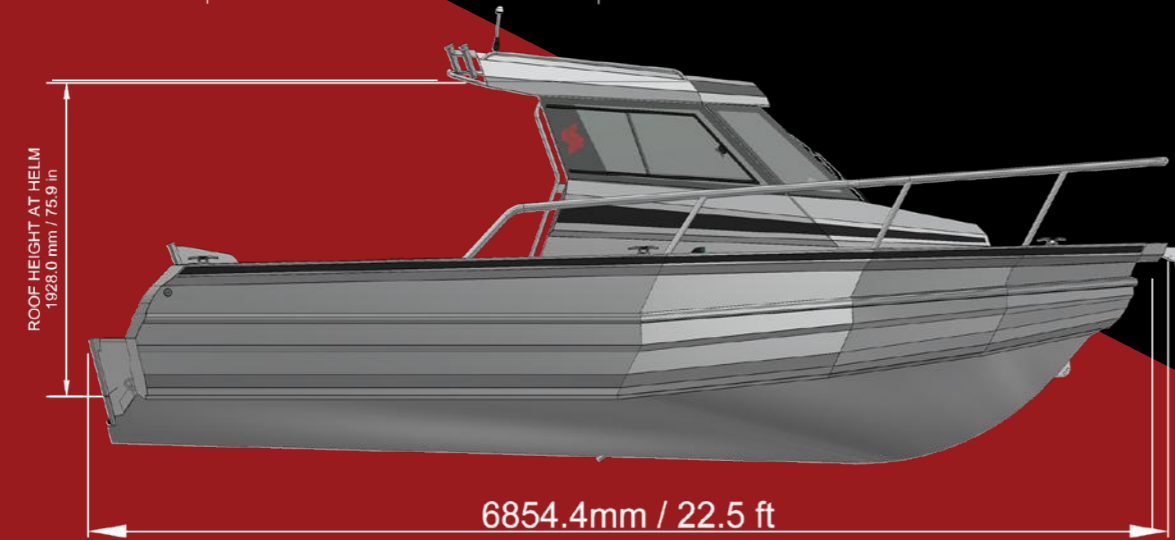
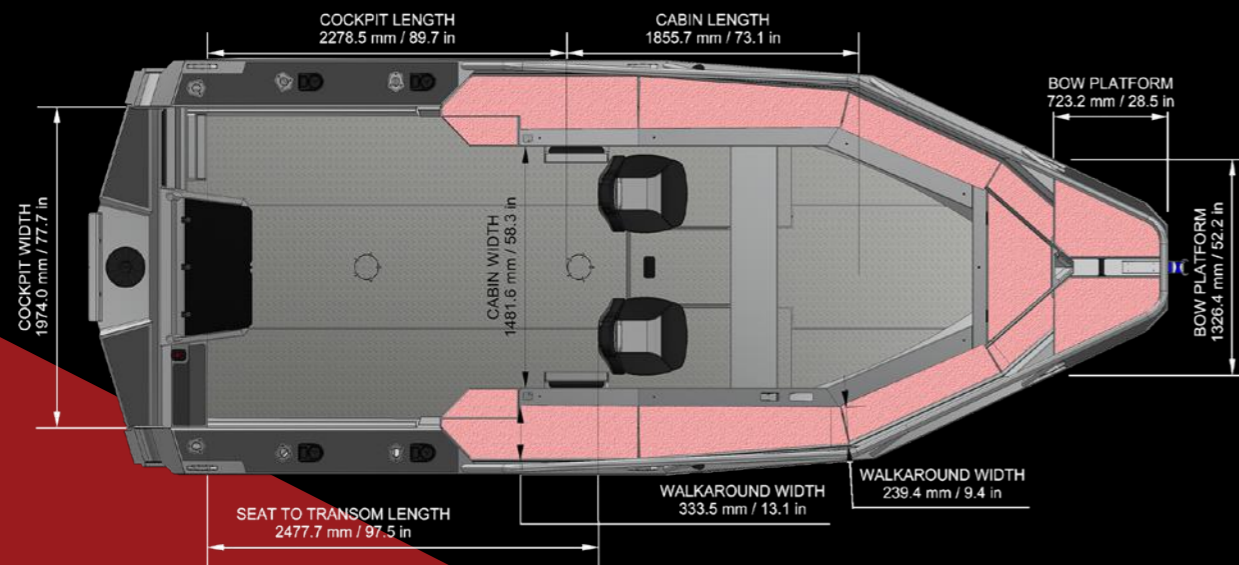


2250 CENTRECAB



2 years in design, 32 years in evolution and certifiably rough water tested circumnavigating Stewart Island deep in the Roaring Forties.

The idea for the 2250 range was primarily born through social media feedback after the 2750 Centrecab started gaining traction. Our customers and fans wanted the function of a full walkaround on a scaled down hull making it a more affordable and manageable boating option.

"We have given the 2250 design its own purpose. Staunch, aggressive, sharp lines that scream adventure. Stabicraft has a history of taking functional concepts, like the buoyancy chambers, and giving them their own style. It's by no means conventional, but certainly unique, aggressive and tough".

— Stabicraft CEO, Paul Adams

Contact your nearest Stabicraft dealership to experience awesome right now.

www.stabicraft.com

345 Bluff Highway, Invercargill, New Zealand. Phone: 0064 3 211 1828 Email: enquiries@stabicraft.com



2250 CENTRECAB

SPECIFICATIONS:

Length Feet (metres)	22.5ft (6.85m)
Max Adults	8
Recommended HP	225hp
Maximum HP	300hp
Max Engine Weight	299kg (659lbs)
Leg Length	25"
Fuel Tank	300L (79gal)
External Beam	2.54m (101")
External Beam - Australia	2.50m
Internal Beam	1.97m (77.6")
Deadrise	19°
Tube Thickness	4mm (0.160")
Hull Thickness	6mm (0.250")
Sealed Buoyancy Capacity (Approx)	2051L (541gal)
Dry Hull Weight (Approx)	1787kg (3940lbs)
Tow Weight (Approx)	2520kg (5555lbs)
Length on Trailer	8.4m (27'6")

STANDARD:

Game Chaser Transom
Arrow Pontoons
Wingstyle Coamings
Stabi cleats x6
Underfloor fish bin
11 roof rod holders
6 S/S gunnel rod holders
4mm pontoons
Bonnet hatch opening
Red white dome light
Hydraulic steering
Trim tab brackets
Fusion speakers pre cut
Twin sliding windows
USB x4
Twin wipers
Flex roof only
Transom walk thru
Downrigger/Electric reel wiring

SAFETY FEATURES:

Reserve Buoyancy
NZ CPC boat safety standards
US Coastguard boat safety standards
LED navigation lights
Australian Builders Plate boat safety standards



FEATURES & OPTIONS

2250 CENTRECAB PLATFORMS

	2250CC	2250CC OFFSHORE	2250CC SPORTFISH	2250CC SUPERFISH
USA transom box w. rear fold down seats	✓	✓	N/A	N/A
Superfish transom box - LBT, w. rear fold down seats	N/A	N/A	✓	N/A
Game transom - LBT, tuna tubes x 2 & tackle drawer	N/A	OPTIONAL	OPTIONAL	✓
Fish pro seats	✓	N/A	N/A	N/A
Bolster seats	N/A	✓	✓	✓
Fixed pedestal	✓	N/A	N/A	N/A
Soft rider pedestal	N/A	✓	N/A	N/A
Airwave pedestal on box seat	N/A	N/A	OPTIONAL	OPTIONAL
Seat box with storage	N/A	N/A	✓	✓
Fold up long cabin jump seats x2	✓	✓	N/A	N/A
Rear cabin chilly bin seats	N/A	N/A	✓	✓
Vee berth & folding extensions	N/A	✓	✓	✓
Foot rest with dump zone	✓	N/A	N/A	N/A
Tread plate floor, octigrip raised deck & coamings	✓	✓	✓	N/A
4mm floor, EVA on floor, raised deck & coamings	N/A	OPTIONAL	OPTIONAL	✓
Winch Maxwell drum with rope & chain	OPTIONAL	OPTIONAL	✓	✓
Minn Kota Motor mount	OPTIONAL	OPTIONAL	OPTIONAL	OPTIONAL
Planar Diesel Heater	N/A	OPTIONAL	OPTIONAL	OPTIONAL
Electric Toilet (no holding tank)	N/A	OPTIONAL	OPTIONAL	OPTIONAL
Porta potti	N/A	✓	OPTIONAL	OPTIONAL
Windscreen washer kit	N/A	OPTIONAL	OPTIONAL	OPTIONAL
Fusion Apollo head unit & signature speakers x2	OPTIONAL	OPTIONAL	✓	✓
Walkaround lights	N/A	✓	✓	✓
Hella Seahawk decklights x2	N/A	✓	✓	✓
Transom underwater light	N/A	OPTIONAL	OPTIONAL	✓
3 Vertical Rod travel storage x2 cockpit	OPTIONAL	OPTIONAL	✓	✓
Rear clears	N/A	✓	OPTIONAL	OPTIONAL
Injected Foam fill pontoons	OPTIONAL	OPTIONAL	OPTIONAL	OPTIONAL
External gunnel handrails	OPTIONAL	OPTIONAL	OPTIONAL	OPTIONAL
Washdown pump	OPTIONAL	✓	✓	✓
Radar tower	OPTIONAL	✓	OPTIONAL	OPTIONAL
Rear boarding ladder fold up	OPTIONAL	✓	✓	✓
Aux bracket	OPTIONAL	✓	OPTIONAL	OPTIONAL
Lenco 4x12 Trim tabs	OPTIONAL	OPTIONAL	OPTIONAL	OPTIONAL
Rear cages w. boarding ladder	N/A	OPTIONAL	OPTIONAL	OPTIONAL
Powdercoated cabin in Spica Pearl	OPTIONAL	✓	✓	✓
Powdercoated dash in Spica Pearl	OPTIONAL	✓	✓	N/A
Painted dash (or powder if possible) to match paint	N/A	N/A	N/A	✓
Powdercoated roof Spica Pearl	OPTIONAL	✓	N/A	N/A
Painted roof (or powder if possible) to match paint	N/A	N/A	N/A	✓
Belting up paint (non metallic)	N/A	OPTIONAL	✓	N/A
Full Paint (non metallic)	N/A	N/A	OPTIONAL	✓
Paint metallic upgrade	N/A	N/A	OPTIONAL	OPTIONAL
Powdercoated Remote Panel in Spica Pearl	OPTIONAL	✓	N/A	✓
	PACKAGES FROM \$NZ138,995 \$AU129,995 \$US69,995	PACKAGES FROM \$NZ148,995 \$AU139,995 \$US79,995	PACKAGES FROM \$NZ154,995 \$AU144,995 \$US87,750	PACKAGES FROM \$NZ164,995 \$AU154,995 \$US100,098

ALL PACKAGE PRICING INCLUDES TRAILER AND 150hp OUTBOARD